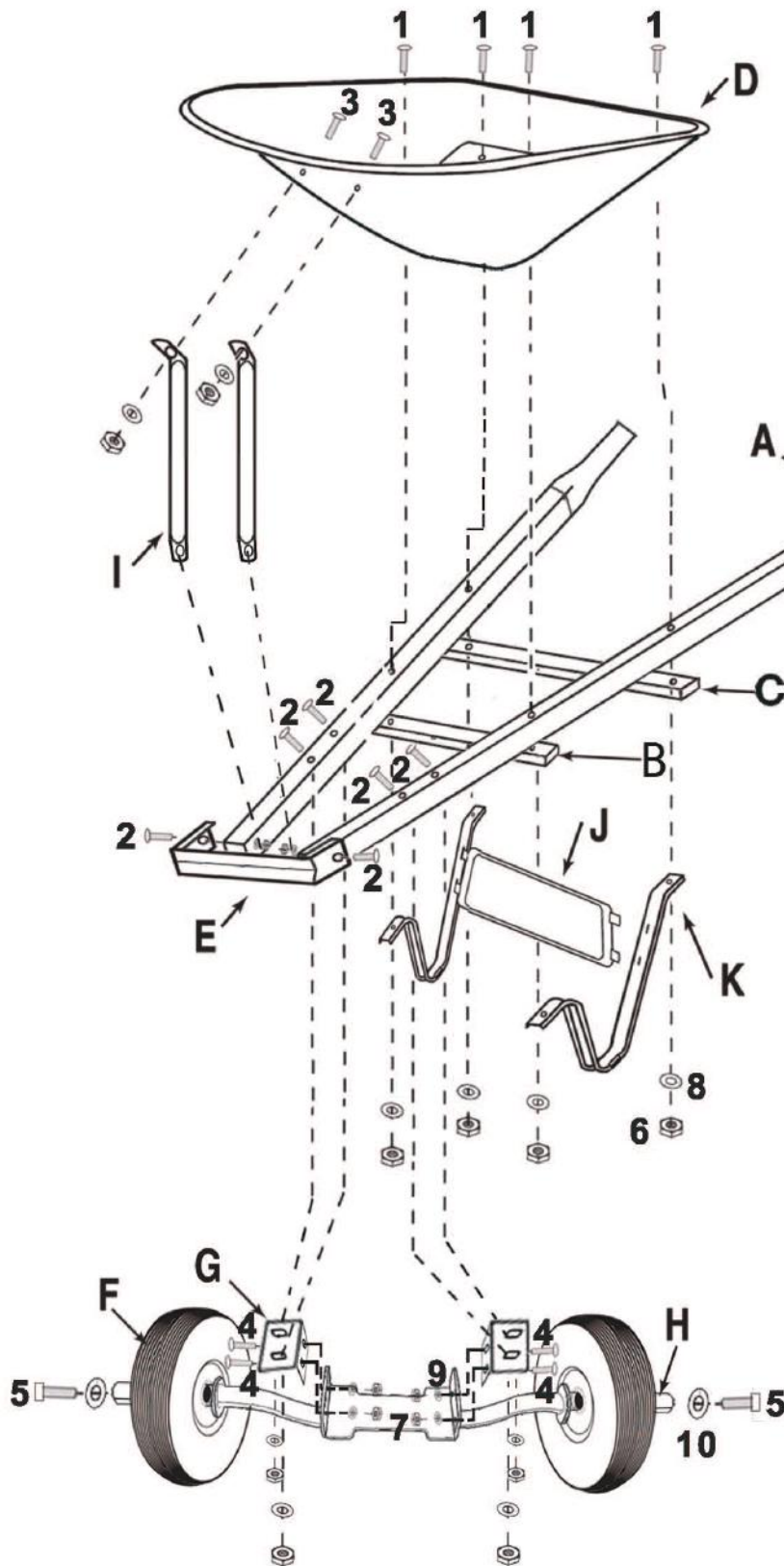


TP805 WHEELBARROW ASSEMBLY INSTRUCTIONS



ITEM DESCRIPTION

- A Handle
- B Short cross stay
- C Long cross stay
- D Tray-8cu. ft. poly
- E Nose guard
- F 16" Wheel
- G Axle bracket
- H 2 wheel kit
- I Tray brace
- J Leg brace
- K Leg

Boltsets

- 1. 5/16" x 3.15" (4pcs)
- 2. 5/16" x 2.36" (6pcs)
- 3. 5/16" x 0.78" (2pcs)
- 4. 10mm x 20mm (4pcs)
- 5. 10mm x 16mm (2pcs)

Nuts

- 6. 5/16" HEX (12pcs)
- 7. 10mm HEX (4pcs)

Washers

- 8. 5/16" ID x 3/4" OD (12pcs)
- 9. 10mm ID x 3/4" OD (4pcs)
- 10. 10mm ID x 32mm OD (2pcs)